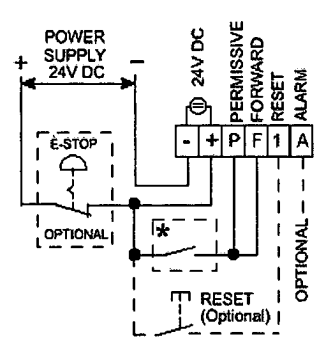
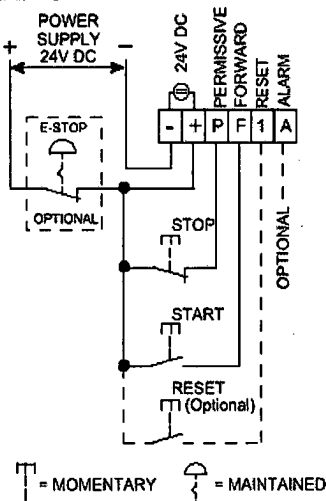


**IEC Non - Reversing Starter A - Frame 27mm**

**3-Wire Control**

**2-Wire Control**



\*MAINTAINED ONLY  
2-WIRE REMOTE PILOT DEVICE

T = MOMENTARY    = MAINTAINED

**CONTROL POWER / 24 VOLTS DC ONLY**

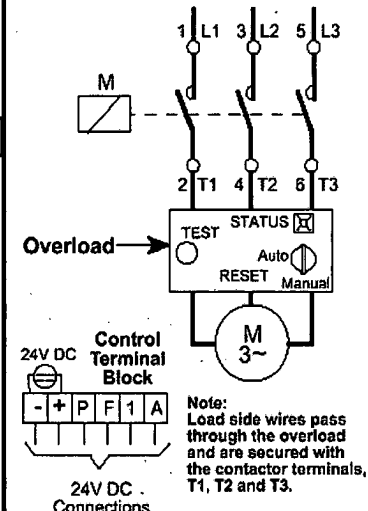
**POWER REQUIRED PER DEVICE @ 20°C (68°F)**  
 Inrush: 20 watts, 0.83 amps, 30 msec duration  
 Sealed: 2.0 watts, 0.083 amps

At other temperatures (T) in °C  
 Watts =  $W_{20} [1.1 - .005(T)]$   
 Amps =  $A_{20} [1.1 - .005(T)]$  } Inrush or Sealed  
 Example: Inrush watts @ -25°C  
 $20 [1.1 - .005(-25)] = 25$  watts

**24V DC POWER SUPPLY REQUIRED**  
 Select supply based on power required per device  
 Recommend Cutler-Hammer PS Series

**24V DC CONTROLS REQUIRED (P, F, 1)**  
 Sinking Input -- 24V DC, 3-5mA  
 Recommend Cutler-Hammer Logic Level Series  
 or contact blocks with reliability "nlbs".

**ALARM OUTPUT (A)**  
 Sourcing Output  
 24V DC @ 0.25 amps



**DISCONNECT AC POWER BEFORE WORKING ON THIS PRODUCT**

**AUXILIARY CONTACTS**

Max. Qty.	Cat. No.	Description
1	EMA13	1 N.O.
1	EMA14	1 N.C.
0	EMA15	1 N.O. - 1 N.C.
0	EMA16	2 N.O.
0	EMA17	2 N.C.
1	EMA70	1 N.O.-1 N.C. (Logic)

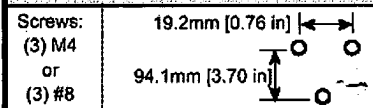
**CONTROL TERMINAL BLOCK**

Wire	- +	P F 1 A
1 per Terminal	1.5mm <sup>2</sup> [14 Awg]	0.5 - 1.5mm <sup>2</sup> [22 - 14 Awg]
Strip Length	Driver	Torque (Max.)
7mm [0.27 in]	2.5mm [3/32 in]	0.25 N-m [2.25 LB-IN]

**CONTROL CIRCUIT FUSEHOLDER**  
 Cat. No. C320FB or C320FBR

**L1, L2, L3 / T1, T2, T3**  
 75°C Copper Wire only

**MOUNTING HOLES / DIN RAIL**



1.5 - 2.5mm<sup>2</sup> [16 - 12 Awg]  
 L1, L2, L3 -- 2 Wires per Terminal  
 T1, T2, T3 -- 1 Wire per Terminal

**AMBIENT TEMPERATURE**

Operating: -40°C to 65°C [-40°F to 149°F]  
 Storage: -50°C to 80°C [-58°F to 176°F]

Strip Length	Driver	Torque (Max.)
8mm [0.32 in]	PZ1 or 5mm [3/16 in]	2 N-m [18 LB-IN]

**TYPE 1 SHORT CIRCUIT WITHSTAND RATING**

	Maximum Value	Maximum Breaker		Maximum Fuse	
		Cutler-Hammer		Ferraz-Shawmut	
'r'	1000A @ 415V	WMN3D32 - 32A - 415V		---	
	1000A @ 480V	---		OTS45 K5 - 45A - 600V	
	1000A @ 600V	---		OTS35 K5 - 35A - 600V	

**UL 508 and CSA C22.2 No. 14-95**

SUITABLE FOR USE ON A CIRCUIT CAPABLE OF DELIVERING NOT MORE THAN 5000 rms SYMMETRICAL AMPERES, 480 VOLTS MAXIMUM WHEN PROTECTED BY CLASS K5-FUSES, TIME DELAY FUSES PER NEC OR INVERSE-TIME CIRCUIT BREAKERS (THERMAL MAGNETIC). FOR 600 VOLT APPLICATIONS - USE FUSES ONLY.