

CSG. HGT.	A	B	C	D	E	F	CONNS			H	H	J
							STD	3" EXT	5" EXT			
							CONNS	CONNS	CONNS	JOINTS	JOINTS	
20.563	9.687	1.438	2.875	1/2	2	.750	3.750	5.750	4.250	5.125	4.281	
24.875	11.875	1.438	2.875	1/2	2	.750	3.750	5.750	4.250	5.125	3.437	
29.000	14.812	1.438	2.875	1/2	2	.750	3.750	5.750	4.250	5.125	2.500	
33.250	16.000	1.438	2.875	1/2	2 1/2	.750	3.750	5.750	4.250	5.125	4.625	
37.437	18.125	1.438	2.875	1/2	2 1/2	.750	3.750	5.750	4.250	5.125	3.718	
41.625	18.125	1.625	2.625	2	3	2.000	5.000	7.000	4.875	5.875	4.312	
45.750	23.062	1.625	2.625	2	3	2.000	5.000	7.000	4.875	5.875	3.375	
49.875	25.000	2.125	2.500	2 1/2	3	2.000	5.000	7.000	4.875	5.875	2.437	
54.000	27.000	2.125	2.500	2 1/2	3	2.000	5.000	7.000	4.875	5.875	4.500	

-NOTES-

- TUBES PITCHED IN CASING FOR HORIZONTAL & VERTICAL AIRFLOW
- ALWAYS INSTALL CASING LEVEL
- COIL, LAID FLAT FOR VERTICAL AIRFLOW, MUST BE INSTALLED WITH TUBES PITCHED TOWARD HEADER END
- COIL BE BUILT WITHOUT MOUNTING HOLES UNLESS OTHERWISE SPECIFIED

NTL	M
X'-0", X'-3", X'-6", X'-9"	4.25
X'-0.5", X'-3.5", X'-6.5", X'-9.5"	4.5
X'-1", X'-4", X'-7", X'-10"	3.25
X'-1.5", X'-4.5", X'-7.5", X'-10.5"	3.5
X'-2", X'-5", X'-8", X'-11"	3.75
X'-2.5", X'-5.5", X'-8.5", X'-11.5"	4

X = 36" or 3'-0"

TOLERANCE

1. CONNECTION & HEADER LOCATIONS • ±.250
 2. CASING DIMENSIONS • ±.125
- (ALL DIMENSIONS ARE IN INCHES)

TITLE:
TYPE "BNF" COIL, 2 ROW, BRAZED OR WELDED JOINTS, STANDARD OR EXTENDED MPT CONNECTIONS, 20⁹/₁₆" - 54" CASING HEIGHT, 2'-0" - 10'-0" NTL

AEROFIN CORP.

LYNCHBURG, VA.

SUBDWGS\BNF\303

B	14568	5-29-02	BVN	
A	CHECKED	5-1-98	MLR	
NO	REVISION	DATE	DR	ENG

SCALE	NONE
DWG. NO.	CA-140-3BNF-303



4621 Murray Place, Lynchburg, Virginia 24502
 Mailing Address: P.O. Box 10819, 24506-0819
 Phone (434)845-7081 Fax (434) 528-6242

Sales Order 050589-00

Customer 003802

Duplicate Copy

To :

MUTIMER INDUSTRIAL SALES
 P.O. BOX 6264
 WYOMISSING PA 19610
 United States

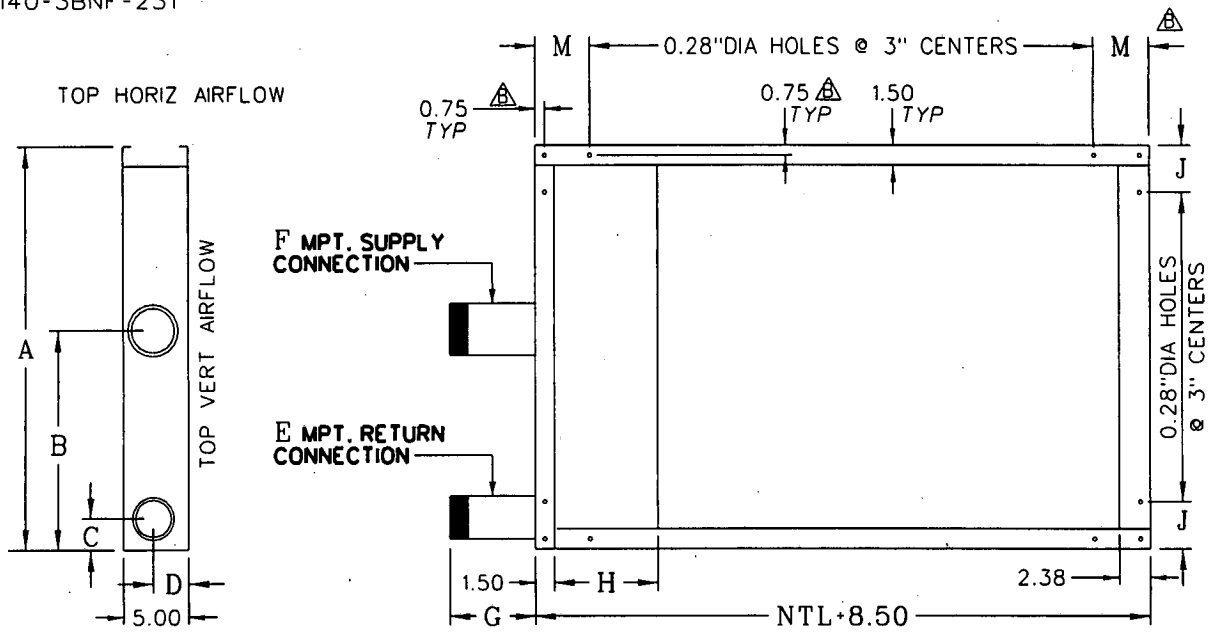
Ship to :

INTERSTATE HARDWOODS
 RTS. 250 & 92
 BARTO WV 24320
 United States

Phone (610) 825-6322

Fax (610) 828-6968

Customer PO Number	Order Date	Terms	FOB	Ship Via	Salesperson
J3-FEB	02/09/2005	NET 30	OUR PLANT - FRT PPD	OVERNITE	470
Item	Part / Rev / Description / Details			Quantity	
001	BNF-AL-12-36-2 U/M EA BNF, 20.56 X 36, 14 FPI AL, 2 Rows, MTG HOLES ~~~~~ Drawing # CA-140-3BNF-303 REV. B QA Level D1QL1 PREFIX AAN ~~~~~ Tube Material Copper Inner Copper Tube OD 0.625" Inner 3/8" Tube Wall 0.020" Inner 0.020" Fin Type 3/8" Edgewound Aluminum Fin Thick 0.0100" Joints Silver Brazed Header Material Carbon Stl Header Schedule 40 Supply MPT Return MPT Casing Material Galvanized Casing Flange Standard ~~~~~ Hand _____ Airflow Horizontal Circuit Full ~~~~~ TubeFace 12 TEST AIR, 300 psig ~~~~~ Additional Description: - Mounting Holes Required			1.00000	



CSG. HGT.	A	B	C	D	E	F	CONNS		H	H	J
							STD	EXT			
20.563	9.687	1.438	2.875	1/2	2	.750	3.750	5.750	4.250	5.125	4.281
24.875	11.875	1.438	2.875	1/2	2	.750	3.750	5.750	4.250	5.125	3.437
29.000	14.812	1.438	2.875	1/2	2	.750	3.750	5.750	4.250	5.125	2.500
33.250	16.000	1.438	2.875	1/2	2 1/2	.750	3.750	5.750	4.250	5.125	4.625
37.437	18.125	1.438	2.875	1/2	2 1/2	.750	3.750	5.750	4.250	5.125	3.718
41.625	18.125	1.625	2.625	2	3	2.000	5.000	7.000	4.875	5.875	4.312
45.750	23.062	1.625	2.625	2	3	2.000	5.000	7.000	4.875	5.875	3.375
49.875	25.000	2.125	2.500	2 1/2	3	2.000	5.000	7.000	4.875	5.875	2.437
54.000	27.000	2.125	2.500	2 1/2	3	2.000	5.000	7.000	4.875	5.875	4.500

-NOTES-

- TUBES PITCHED IN CASING FOR HORIZONTAL & VERTICAL AIRFLOW
- ALWAYS INSTALL CASING LEVEL
- COIL, LAID FLAT FOR VERTICAL AIRFLOW, MUST BE INSTALLED WITH TUBES PITCHED TOWARD HEADER END
- COIL BE BUILT WITHOUT MOUNTING HOLES UNLESS OTHERWISE SPECIFIED

Δ NTL	M
X'-0", X'-3", X'-6", X'-9"	4.25
X'-0.5", X'-3.5", X'-6.5", X'-9.5"	4.5
X'-1", X'-4", X'-7", X'-10"	3.25
X'-1.5", X'-4.5", X'-7.5", X'-10.5"	3.5
X'-2", X'-5", X'-8", X'-11"	3.75
X'-2.5", X'-5.5", X'-8.5", X'-11.5"	4

TOLERANCE

1. CONNECTION & HEADER LOCATIONS - $\pm .250$
 2. CASING DIMENSIONS - $\pm .125$
- (ALL DIMENSIONS ARE IN INCHES)

SUBDWGS\BNF\303

TITLE:
 TYPE "BNF" COIL, 2 ROW, BRAZED OR WELDED JOINTS, STANDARD OR EXTENDED MPT CONNECTIONS, 20⁹/₁₆" - 54" CASING HEIGHT, 2'-0" - 10'-0" NTL Δ

AEROFIN CORP.

LYNCHBURG, VA.

B	14568	5-29-02	BVN	
A	CHECKED	5-1-98	MLR	
NO	REVISION	DATE	DR	ENG

SCALE	NONE
DWG. NO.	CA-140-3BNF-303