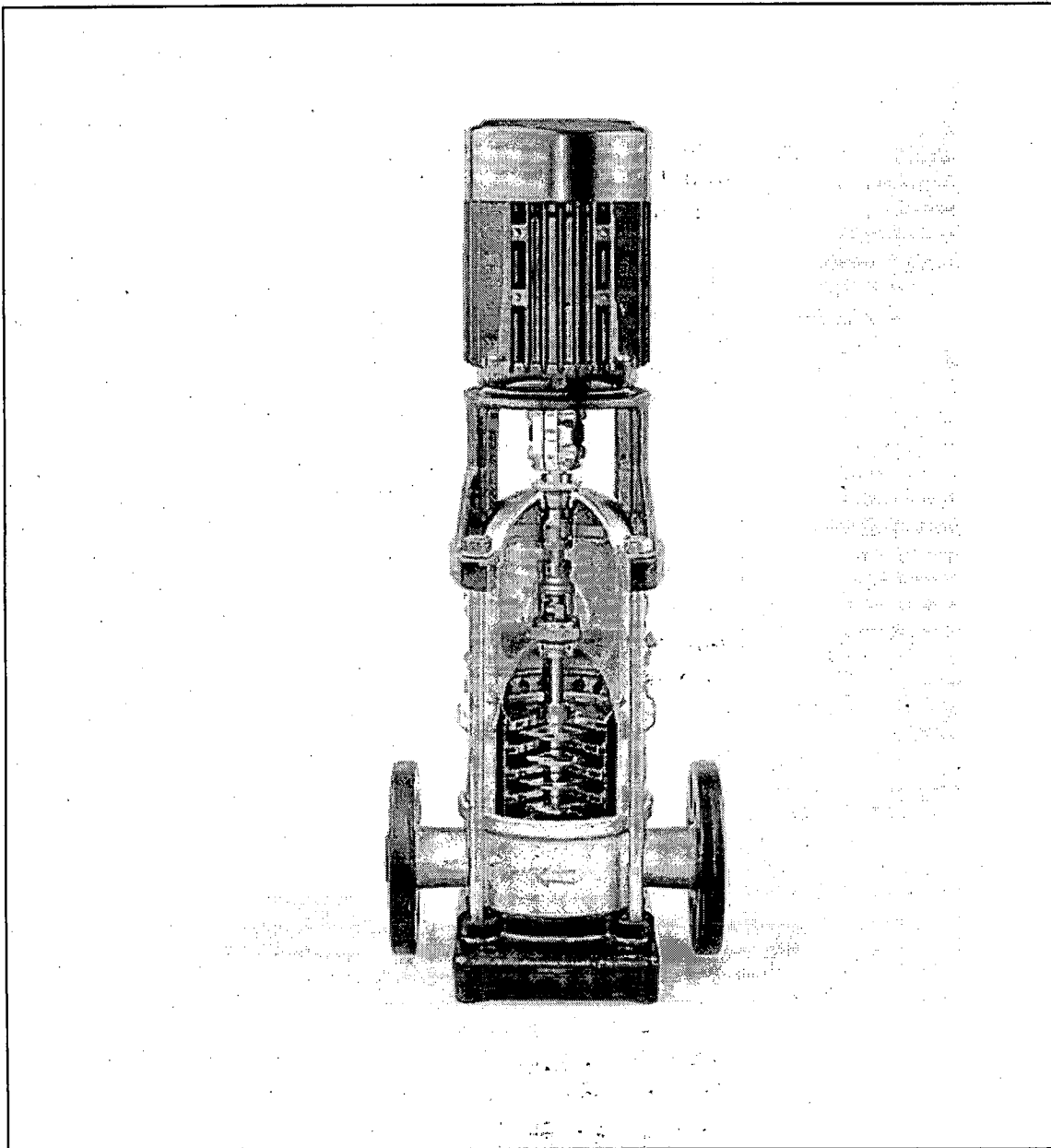


CR, CRI, CRN 1, 3 & 5 CR, CRI, CRN 10, 15 & 20

Dobbelt-akselætning (back-to-back)
Double seal (back-to-back)
Doppelgleitringdichtung (back-to-back)

Delliste
Parts list
Teilliste

50/60 Hz, 3 ~



96531033 0204

GRUNDFOS 

DK GB D	Delliste Parts list Teilliste	Dobbelt-akseltætning (back-to-back) Double seal (back-to-back) Doppelgleitringdichtung (back-to-back)	CR (I,N) 1, 3, 5
---------------	-------------------------------------	---	-------------------------

Pos.	Benævnelse Description Benennung	Model Model Modell	Variantkode Variant code Variantencode					50/60 Hz	Antal Number Anzahl	Suppl. oplysninger Suppl. information Zusätzl. Informationen	Delnummer Part number Teilnummer		
			(1)	(2)	(3)	(4)	(5)				CR(I,N) 1, 3, 5		
18a	Luftskrue Air vent screw Entlüftungsschraube							2	½ RG	405150			
23a	Prop Plug Stopfen							2	G ½	370025			
										CR 1, 3	CR 5		
26	Støttebolt CR Staybolt CR Stehbolzen CR							4		187 mm = L	404008		
										2	187 mm = L		
										3	187 mm = L	404008	96442752
										4	211 mm = L		
										5	205 mm = L	414006	
										6	241 mm = L	404011	
										7	223 mm = L	404010	
										8	265 mm = L	96442753	
										9	241 mm = L	404011	
										10	292 mm = L	96442754	
										11	259 mm = L	414008	
										12	319 mm = L	96442756	
										13	277 mm = L	404013	
										14	340 mm = L	414011	
										15	292 mm = L	96442754	
										16	373 mm = L	96442761	
										17	313 mm = L	414010	
										18	400 mm = L	96442762	
										19	328 mm = L	96442760	
										20	427 mm = L	96442763	
										21	340 mm = L	414011	
										22	454 mm = L	96442764	
										23	367 mm = L	414012	
										24	481 mm = L	96458439	
										25	511 mm = L	404026	
										26	400 mm = L	96442762	
										27	535 mm = L	96458440	
										28	562 mm = L	96442766	
										29	436 mm = L	96458181	
										30	616 mm = L	96442767	
										31	475 mm = L	414016	
										32	670 mm = L	96442768	
										33	511 mm = L	404026	
										34	724 mm = L	96442769	
										35	544 mm = L	96442765	
										36	778 mm = L	96458444	
	583 mm = L	404030											
	832 mm = L	96458445											
	616 mm = L	96442767											
	655 mm = L	96458442											
	913 mm = L	96458449											
	670 mm = L	96442768											
	691 mm = L	96442777											
	994 mm = L	96442772											
	724 mm = L	96442769											
	778 mm = L	96458444											
	1027 mm = L	96458454											

DK GB D	Delliste Parts list Teilliste	Dobbelt-akseltætning (back-to-back) Double seal (back-to-back) Doppelgleitringdichtung (back-to-back)	CR (I,N) 1, 3, 5
---------------	-------------------------------------	---	-------------------------

								CRN 1, 3	CRN 5
					3/2		263 mm = L	404138	
					2		259 mm = L		96459201
					3		263 mm = L	404138	
					4		286 mm = L		404110
					5		281 mm = L	414136	
					6		317 mm = L		404141
					7		292 mm = L	414107	
					8		340 mm = L		404113
					9		317 mm = L	404141	
					10		367 mm = L		96459214
					11		335 mm = L	414138	
					12		394 mm = L		96442056
					13		349 mm = L	414109	
					14		425 mm = L		404147
					15		367 mm = L	96459214	
					16		448 mm = L		404119
					17		385 mm = L	96458503	
					18		475 mm = L		414143
					19		403 mm = L	414111	
					20		502 mm = L		404122
					21		425 mm = L	404147	
					22		529 mm = L		414145
					23		436 mm = L	96442118	
					24		551 mm = L		414146
					25		587 mm = L		404156
					26		475 mm = L	414143	
					27		610 mm = L		96458504
					28		637 mm = L		96461557
					29		511 mm = L	414115	
					30		691 mm = L		96442122
					31		547 mm = L	96442119	
					32		745 mm = L		96442123
					33		587 mm = L	404156	
					34		794 mm = L		414155
					35		619 mm = L	414119	
					36		853 mm = L		96458507
					37		659 mm = L	414160	
					38		907 mm = L		96458508
					39		691 mm = L	96442122	
					40		727 mm = L	96458505	
					41		988 mm = L		96458509
					42		745 mm = L	96442123	
					43		763 mm = L	96458506	
					44		1069 mm = L		96442126
					45		794 mm = L	414155	

26 Støttebolt CRN
Staybolt CRN
Stehbolzen CRN

4

DK GB D	Delliste Parts list Teilliste	Dobbelt-akseltætning (back-to-back) Double seal (back-to-back) Doppelgleitringdichtung (back-to-back)	CR (I,N) 1, 3, 5
---------------	-------------------------------------	---	-------------------------

Pos.	Benævnelse Description Benennung	Model Model Modell	Variantkode Variant code Variantencode					50/60 Hz	Antal Number Anzahl	Suppl. oplysninger Suppl. information Zusätzl. Informationen	Delnummer Part number Teilnummer	
			(1)	(2)	(3)	(4)	(5)				CR I, 3	CR I 5
26	Støttebolt Staybolt Stehbolzen							4	265 mm = L	96442753		
									2	259 mm = L		414008
									3	265 mm = L	96442753	
									4	286 mm = L		414009
									5	281 mm = L	414009	
									6	313 mm = L		414010
									7	292 mm = L	96442754	
									8	340 mm = L		414011
									9	319 mm = L	96442756	
									10	367 mm = L		414012
									11	335 mm = L	414011	
									12	400 mm = L		96442762
									13	349 mm = L	404017	
									14	421 mm = L		96442773
									15	367 mm = L	414012	
									16	448 mm = L		414015
									17	385 mm = L	404019	
									18	475 mm = L		41 40 16
									19	400 mm = L	96 44 27 62	
									20	502 mm = L		96 44 27 74
									21	427 mm = L	96 44 27 63	
									22	529 mm = L		96 44 27 75
									23	436 mm = L	96 45 81 81	
									24	556 mm = L		41 40 19
									25	583 mm = L		40 40 30
									26	475 mm = L	41 40 16	
									27	610 mm = L		96 45 84 41
									28	637 mm = L		41 40 22
									29	511 mm = L	40 40 26	
									30	691 mm = L		96 44 27 77
									31	544 mm = L	96 44 27 65	
									32	745 mm = L		96 44 27 78
									33	583 mm = L	40 40 30	
									34	799 mm = L		96 44 27 79
									35	616 mm = L	96 44 27 67	
									36	853 mm = L		96 45 84 46
37	O-ring O-ring O-Ring							1	EPDM 137,5 x 3,3	CR (I, N) 1, 3, 5 96 43 87 43		
									FKM 137,5 x 3,3	96 43 87 44		

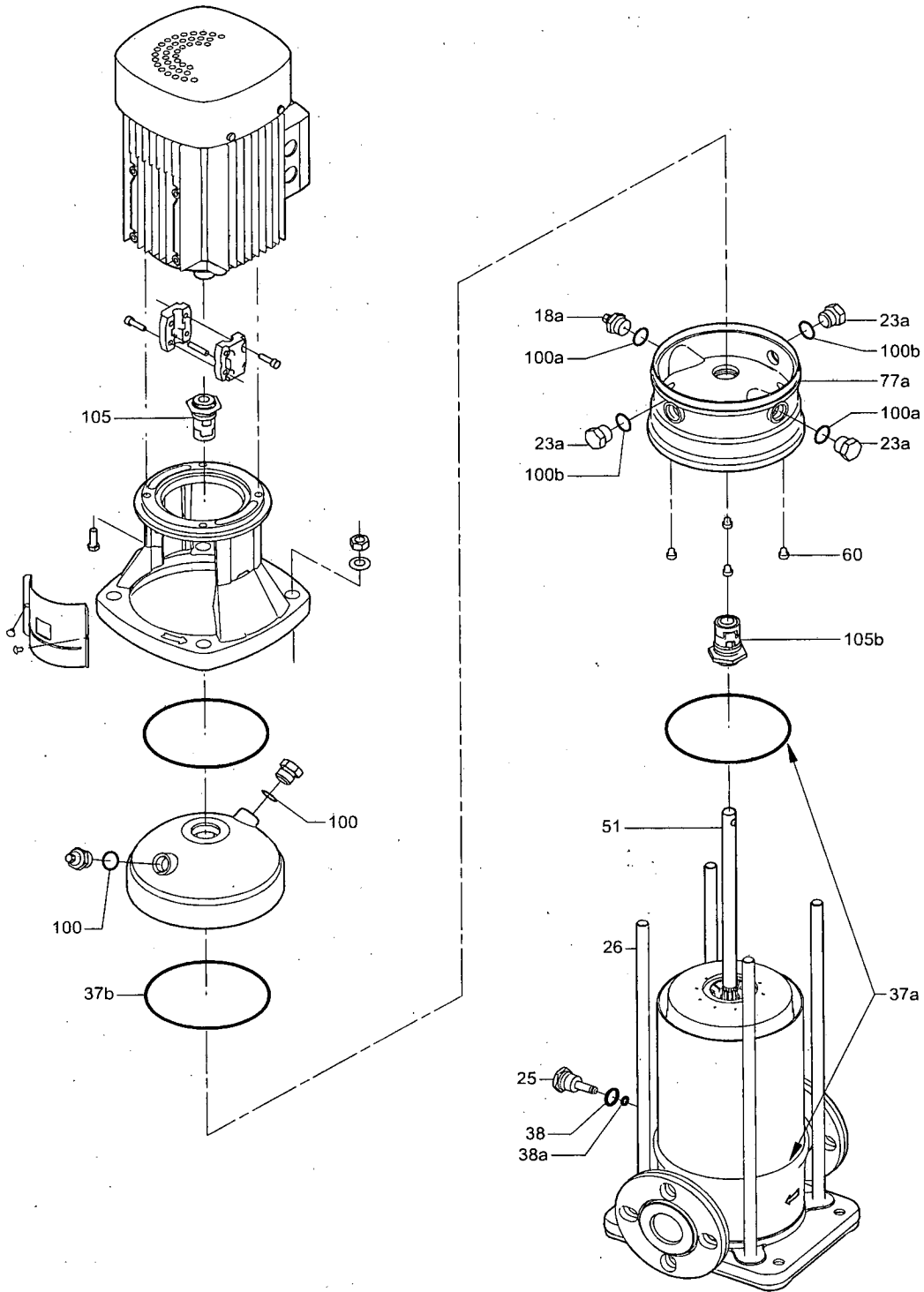
DK GB D	Delliste Parts list Teilliste	Dobbelt-akselætning (back-to-back) Double seal (back-to-back) Doppelgleitringdichtung (back-to-back)	CR (I,N) 1, 3, 5
---------------	-------------------------------------	--	-------------------------

Pos.	Benævnelse Description Benennung	Model Model Model I	Variantkode Variant code Variantencode					50/60 Hz	Antal Number Anzahl	Suppl. oplysninger Suppl. information Zusätzl. Informationen	Delnummer Part number Teilnummer		
			(1)	(2)	(3)	(4)	(5)				CR (I, N) 1, 3	CR(I,N) 5	
51	Aksel Shaft Welle							1	270,1 mm = L	96 45 75 60			
									2	270,1 mm = L		96 45 75 60	
									3	270,1 mm = L	96 45 75 60		
										290,1 mm = L		96 45 75 61	96 45 75 61
									4	290,1 mm = L	96 45 75 61		
										323,1 mm = L		96 45 75 63	96 45 75 63
									5	323,1 mm = L	96 45 75 63		
										306,1 mm = L	96 45 75 62		
									6	306,1 mm = L	96 45 75 62		
										344,1 mm = L		96 45 75 64	96 45 75 64
									7	344,1 mm = L	96 45 75 64		
										378,1 mm = L		96 45 75 66	96 45 75 66
									8	378,1 mm = L	96 45 75 66		
										398,1 mm = L		96 45 75 67	96 45 75 67
									9	398,1 mm = L	96 45 75 67		
										360,1 mm = L	96 45 75 65		
									10	360,1 mm = L	96 45 75 65		
										432,1 mm = L		96 45 75 69	96 45 75 69
									11	432,1 mm = L	96 45 75 69		
										378,1 mm = L	96 45 75 66		
									12	378,1 mm = L	96 45 75 66		
										452,1 mm = L		96 45 75 70	96 45 75 70
									13	452,1 mm = L	96 45 75 70		
										398,1 mm = L	96 45 75 67		
									14	398,1 mm = L	96 45 75 67		
										486,1 mm = L		96 45 75 71	96 45 75 71
									15	486,1 mm = L	96 45 75 71		
										414,1 mm = L	96 45 75 68		
									16	414,1 mm = L	96 45 75 68		
										506,1 mm = L		96 45 75 72	96 45 75 72
									17	506,1 mm = L	96 45 75 72		
										432,1 mm = L	96 45 75 69		
									18	432,1 mm = L	96 45 75 69		
										540,1 mm = L		96 45 75 74	96 45 75 74
									19	540,1 mm = L	96 45 75 74		
										452,1 mm = L	96 45 75 70		
20	452,1 mm = L	96 45 75 70											
	560,1 mm = L		96 45 75 75	96 45 75 75									
21	560,1 mm = L	96 45 75 75											
	486,1 mm = L	96 45 75 71											
22	486,1 mm = L	96 45 75 71											
	614,1 mm = L		96 45 75 77	96 45 75 77									
23	614,1 mm = L	96 45 75 77											
	648,1 mm = L		96 45 75 79	96 45 75 79									
24	648,1 mm = L	96 45 75 79											
	522,1 mm = L	96 45 75 73											
25	522,1 mm = L	96 45 75 73											
	702,1 mm = L		96 45 75 81	96 45 75 81									
26	702,1 mm = L	96 45 75 81											
	560,1 mm = L	96 45 75 75											
27	560,1 mm = L	96 45 75 75											
	756,1 mm = L		96 45 75 83	96 45 75 83									
28	756,1 mm = L	96 45 75 83											
	594,1 mm = L	96 45 75 76											
29	594,1 mm = L	96 45 75 76											
	810,1 mm = L		96 45 75 85	96 45 75 85									
30	810,1 mm = L	96 45 75 85											
	630,1 mm = L	96 45 75 78											
31	630,1 mm = L	96 45 75 78											
	864,1 mm = L		96 45 75 86	96 45 75 86									
32	864,1 mm = L	96 45 75 86											
	911,1 mm = L		96 45 75 87	96 45 75 87									
33	911,1 mm = L	96 45 75 87											
	702,1 mm = L	96 45 75 81											
34	702,1 mm = L	96 45 75 81											
	738,1 mm = L	96 45 75 82											
35	738,1 mm = L	96 45 75 82											
	992,1 mm = L		96 45 75 88	96 45 75 88									
36	992,1 mm = L	96 45 75 88											
	756,1 mm = L	96 45 75 83											
37	756,1 mm = L	96 45 75 83											
	774,1 mm = L	96 45 75 84											
38	774,1 mm = L	96 45 75 84											
	1073,1 mm = L		96 45 75 89	96 45 75 89									
39	1073,1 mm = L	96 45 75 89											
	810,1 mm = L	96 45 75 85											
40	810,1 mm = L	96 45 75 85											
	864,1 mm = L	96 45 75 86											
41	864,1 mm = L	96 45 75 86											
	1181,1 mm = L		96 45 75 90	96 45 75 90									
42	1181,1 mm = L	96 45 75 90											
77a	Inddækning Pump head cover Kopfstückeinlage							1		96 45 62 93			
100a	O-ring O-ring O-Ring							4	EPDM 16,3 x 2,4	ID 12 88			
105b	Akseltætning komplet Shaft seal complete Wellenabdichtung kpl.							1	AUUE	985189			
									AUUV	985190			
									AQQE	985700			
									AQQV	985760			

DK GB D	Delliste Parts list Teilliste	Dobbelt-akseltætning (back-to-back) Double seal (back-to-back) Doppelgleitringdichtung (back-to-back)	CR (I,N) 1, 3, 5
---------------	-------------------------------------	---	-------------------------

Pos.	Benævnelse Description Benennung	Model Model Modell	Variantkode Variant code Variantencode					50/60 Hz	Antal Number Anzahl	Suppl. oplysninger Suppl. information Zusätzl. Informationen	Delnummer Part number Teilnummer	
			(1)	(2)	(3)	(4)	(5)				CR (I,N) 1, 3	CR (I,N) 5
109a	O-ring							1	EPDM 22,0 x 2,75	ID1798		
	O-ring O-Ring								FKM 22,0 x 2,75	ID 23 39		
112	Medbringer Seal driver Mithnehmer							1		400203		
113	Pinolskrue Hexagon socket set screw Gewindestift mit Innen- sechskant							2	M5 x 6	ID7392		
146	Unbrakoskrue Hexagon socket head screw Innensechskantschraube							3	M3 x 5	96462639		
147	Prop Plug Stopfen							1		96457354		
148	Skive Washer Unterlegscheibe							1		96457355		

DK GB D	Tegning Drawing Zeichnung	Dobbelt-akseftætning (back-to-back) Double seal (back-to-back) Doppelgleitringdichtung (back-to-back)	CR(I,N) 10, 15, 20
---------------	---------------------------------	---	---------------------------



TM02 7821 4103

Dele uden positionsnumre, se dellisten for standardpumper i WinCAPS eller WebCAPS.
 Parts without positions numbers, see the parts list of the standard pump in WinCAPS or WebCAPS.
 Teile ohne Positionsnummern, siehe die Teilliste der Standardpumpe in WinCAPS oder WebCAPS.

DK GB D	Delliste Parts list Teilliste	Dobbelt-akseltætning (back-to-back) Double seal (back-to-back) Doppelgleitringdichtung (back-to-back)	CR(I,N) 10, 15, 20
---------------	-------------------------------------	---	---------------------------

Model Model Modell	1	Variantkode Variant code Variantencode	2	Løberantal Number of impellers Anzahl der Laufräder	3
Antal pr. pumpe (A = Løberantal) Number per pump (A = Number of impellers) Anzahl pro Pumpe (A = Anzahl der Laufräder)	4	Suppl. oplysninger Suppl. information Zusätzl. Informationen	5	Delnummer Part number Teilnummer	6

Pos.	Benævnelse Description Benennung	1				2		3	4	5	6		
		1	2	3	4	50 Hz	60 Hz				CR 10	CR 15, 20	
23a	Prop Plug Stopfen								2	G ½	37 00 25		
23b	Prop Plug Stopfen								2	G ½	96510323		
											CR 10	CR 15, 20	
26	Støttebolt CR Staybolt CR Stehbolzen CR							1/2	4	223 mm = L	96492723		
								3		253 mm = L		96492724	
								4		253 mm = L	96492724		
								5		298 mm = L		96492726	
								6		283 mm = L	96492725		
								7		343 mm = L		96492728	
								8		313 mm = L	96492727		
								9		388 mm = L		96492730	
								10		343 mm = L	96492728		
								11		433 mm = L		96492731	
								12		373 mm = L	96492729		
								13		478 mm = L		96492732	
								14		403 mm = L	96512258		
								15		523 mm = L		96492734	
								16		433 mm = L	96492731		
								17		568 mm = L		96512270	
						18	463 mm = L	96512259					
						19	613 mm = L		96492737				
						20	523 mm = L	96492734					
						21	703 mm = L		96492739				
						22	583 mm = L	96512271					
							793 mm = L		96512144				
							643 mm = L	96512272					
							928 mm = L		96512147				
							703 mm = L	96492739					
							763 mm = L	96512142					
							823 mm = L	96512146					

DK GB D	Delliste Parts list Teilliste	Dobbelt-akseftætning (back-to-back) Double seal (back-to-back) Doppelgleitringdichtung (back-to-back)	CR(I,N) 10, 15, 20		
---------------	-------------------------------------	---	---------------------------	--	--

Pos.	Benævnelse Description Benennung	1				2				3		4	5	6		
		1	2	3	4	50 Hz	60 Hz			CR I 10	CR I 15, 20					
26	Støttebolt CRI Staybolt CRI Stehbolzen CRI									1/2			330 mm = L	96492806		
													360 mm = L		96492807	
											3			360 mm = L	96492807	
														405 mm = L		96492809
											4			390 mm = L	96492808	
														450 mm = L		96492851
														420 mm = L	96492850	
											5			495 mm = L		96492853
														450 mm = L	96492851	
											6			540 mm = L		96492854
												480 mm = L	96492852			
									7			585 mm = L		96492855		
														CR I 10	CR I 15, 20	
26	Støttebolt CRI Staybolt CRI Stehbolzen CRI									8			510 mm = L	96512253		
													630 mm = L		96492857	
											9			540 mm = L	96492854	
														675 mm = L		96512255
											10			570 mm = L	96512254	
														720 mm = L		96492859
														630 mm = L	96492857	
											12			810 mm = L		96492861
														690 mm = L	96512256	
											14			900 mm = L		96512149
														750 mm = L	96512257	
											16			1035 mm = L		96512151
									17			810 mm = L	96492861			
									18			870 mm = L	96512148			
									20			930 mm = L	96512150			
									22							
														CR N 10	CR N 15, 20	
26	Støttebolt CRN Staybolt CRN Stehbolzen CRN									1/2			330 mm = L	96492868		
													360 mm = L		96492869	
											3			360 mm = L	96492869	
														405 mm = L		96492871
											4			390 mm = L	96492870	
														450 mm = L		96492873
											5			420 mm = L	96492872	
														495 mm = L		96492875
											6			450 mm = L	96492873	
														540 mm = L		96492876
											7			480 mm = L	96492874	
														585 mm = L		96492877
											8			510 mm = L	96512273	
														630 mm = L		96492879
									9			540 mm = L	96492876			
												675 mm = L		96512275		
									10			570 mm = L	96512274			
												720 mm = L		96492881		

DK GB D	Delliste Parts list Teilliste	Dobbelt-akselætning (back-to-back) Double seal (back-to-back) Doppelgleitringdichtung (back-to-back)	CR(I,N) 10, 15, 20
---------------	-------------------------------------	--	---------------------------

Pos.	Benævnelse Description Benennung	1				2				3		4	5	6	
		1	2	3	4	50 Hz	60 Hz					CRN 10	CRN 15, 20		
26	Støttebolt CRN Staybolt CRN Stehbolzen CRN							10				810 mm = L		96492883	
								14				690 mm = L	96512276		
												900 mm = L		96512131	
										16			750 mm = L	96512277	
										17			1035 mm = L		96512133
										18			810 mm = L	96492883	
										20			870 mm = L	96512130	
								22			930 mm = L	96512132			
														CR (I,N) 10,15, 20	
37a	O-ring O-ring O-Ring										2	ø170,7 x 3,3	Se O-ringssæt på side 13 See O-ring kits on page 13 Siehe O-Ringsätze Seite 13		
37 b	O-ring O-ring O-Ring											ø170,7 x 3,3			
38	O-ring O-ring O-Ring											ø16,3 x 2,4			
38a	O-ring O-ring O-Ring											ø5,3 x 2,4			

DK GB D	Delliste Parts list Teilliste	Dobbelt-akselætning (back-to-back) Double seal (back-to-back) Doppelgleitringdichtung (back-to-back)	CR(I,N) 10, 15, 20
---------------	-------------------------------------	--	---------------------------

Pos.	Benævnelse Description Benennung	1				2				3		4	5	6		
		1	2	3	4	50 Hz	60 Hz					CR (I,N) 10	CR (I,N) 15, 20			
51	Aksel Shaft Welle									1, 2			269 mm = L	96507534		
													299 mm = L		96507538	
											3			299 mm = L	96507538	
														339 mm = L		96507570
														329 mm = L	96507539	
														389 mm = L		96507572
														359 mm = L	96507571	
														429 mm = L		96507574
														389 mm = L	96507572	
														479 mm = L		96507576
														419 mm = L	96507573	
														519 mm = L		96507578
														449 mm = L	96507575	
												1		569 mm = L		96507579
														479 mm = L	96507576	
														609 mm = L		96507580
														511 mm = L	96507577	
														654 mm = L		96507582
														569 mm = L	96507579	
														749 mm = L		96507584
														629 mm = L	96507581	
														834 mm = L		96507586
												689 mm = L	96507583			
												969 mm = L		96507588		
												749 mm = L	96507584			
												809 mm = L	96507585			
												869 mm = L	96507587			
77a	Inddækning Pump head cover Kopfstückerinlage										1				96505488	
100	O-ring O-ring O-Ring											2	ø16,3 x 2,4		Se O-ringssæt på side 13 See O-ring kits on page 13 Siehe O-Ringsätze Seite 13	
100a	O-ring O-ring O-Ring											2	ø16,3 x 2,4			
100b	O-ring O-ring O-Ring											2	ø16,3 x 2,4			

DK GB D	Delliste Parts list Teilliste	Dobbelt-akselætning (back-to-back) Double seal (back-to-back) Doppelgleitringdichtung (back-to-back)	CR(I,N) 10, 15, 20
---------------	-------------------------------------	--	---------------------------

Pos.	Benævnelse Description Benennung	1				2				3		4	5	6
		1	2	3	4	1	2	3	4	50 Hz	60 Hz			
105	Akselætning Shaft seal Wellenabdichtung											2	HUBE	96483952
													HUBV	96483964
													HUBK	96483965
													HUBF	96483966
													HUUE	96483967
													HUUV	96483968
													HUUK	96483969
													HUUF	96484070
													HQQV	96484072
													HQQK	96484074
													HQQF	96484075
													HQBE	96484076
													HQBV	96484077

O-ringsæt
O-ring kits
O-Ringsätze

Pos.	Benævnelse Description Benennung		Gummi type Rubber type Gummityp	EPDM	FKM	FFKM/EPDM	FFKM/FKM
			Sætnr. Kit no. Satznr.	96525433	96525434	96525435	96525436
37a	O-ring O-ring O-Ring	ø170,7 x 3,3	EPDM	2			
			FKM		2		
			FFKM			2	2
37b	O-ring O-ring O-Ring	ø170,7 x 3,3	EPDM	1		1	
			FKM		1		1
38	O-ring O-ring O-Ring	ø16,3 x 2,4	EPDM	1			
			FKM		1		
			FFKM			1	1
38a	O-ring O-ring O-Ring	ø5,3 x 2,4	EPDM	1			
			FKM		1		
			FFKM			1	1
39	Pakning Gasket Dichtung	for ovalflange CR 10 for oval flange CR 10 für Ovalflansch CR 10	KLINGERSil C- 4430	2	2	2	2
		for FGJ-flange CR 10 for FGJ flange CR 10 für FGJ-Flansch CR 10		2	2	2	2
		for FGJ-flange CR 15, 20 for FGJ flange CR 15, 20 für FGJ-Flansch CR 15, 20		2	2	2	2
60	Gummifjeder Rubber spring Gummifeder		EPDM	4			
			FKM		4		
			PTFE			4	4
100	O-ring O-ring O-Ring	ø16,3 x 2,4	EPDM	2		2	
			FKM		2		2
100a	O-ring O-ring O-Ring	ø16,3 x 2,4	EPDM	2			
			FFKM			2	2
			FKM		2		
100b	O-ring O-ring O-Ring	ø16,3 x 2,4	EPDM	2		2	
			FKM		2		2

DK GB D	Montering Assembly Montage	Dobbelt-akseltætning (back-to-back) Double seal (back-to-back) Doppelgleitringdichtung (back-to-back)	CR(I,N) 10, 15, 20
---------------	----------------------------------	---	---------------------------

English

Assembly

10. Fit the shaft seal pos. 105b into the pump head cover pos. 77a and tighten with 35 Nm.
11. Moisten the shaft with soapy water and fit the cover pos. 77a and the pump head.
Note: The air vent screw pos. 18a of the cover is not aligned with the air vent screw of the pump head.
12. Fit the nuts pos. 36 and tighten with:
CR, CRI: 80 Nm
CRN: 100 Nm
13. Moisten the shaft and fit the shaft seal pos. 105. Tighten with 35 Nm.
14. Raise the pump shaft and tighten the set screws of the shaft seal pos. 105b with 2.5 Nm through the hole for the air vent screw pos. 18a.
15. Press the shaft home and tighten the set screws of the shaft seal pos. 105 with 2.5 Nm.
16. Raise the pump shaft and fit the adjusting fork.

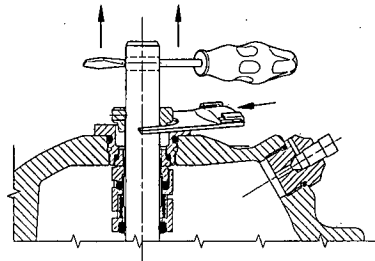


Fig. 2 Fitting the adjusting fork

17. Fit the motor and the screws pos. 28 and tighten with:
M6: 10 Nm
M8: 12 Nm
M12: 40 Nm
½" UNC: 40 Nm
M16: 40 Nm
18. Fit the coupling and the screws pos. 9 and tighten with:
M6: 13 Nm
M8: 31 Nm
M10: 62 Nm
19. Remove the adjusting fork and place it on the inside of one of the coupling guards.
20. Fit the coupling guards and the screws pos. 7a.

Dismantling

1. Remove the screws pos. 7a and the coupling guards pos. 7.
2. Slacken the screws pos. 9 and remove the coupling.
3. Slacken the screws pos. 28 and remove the motor.
4. Slacken the set screws of the shaft seal pos. 105.
5. Remove the shaft seal pos. 105.
6. Slacken the set screws of the shaft seal pos. 105b through the hole for the air vent screw pos. 18a.
7. Remove the nuts pos. 36.
8. Remove the pump head including the cover and O-rings.
9. Remove the shaft seal pos. 105b.

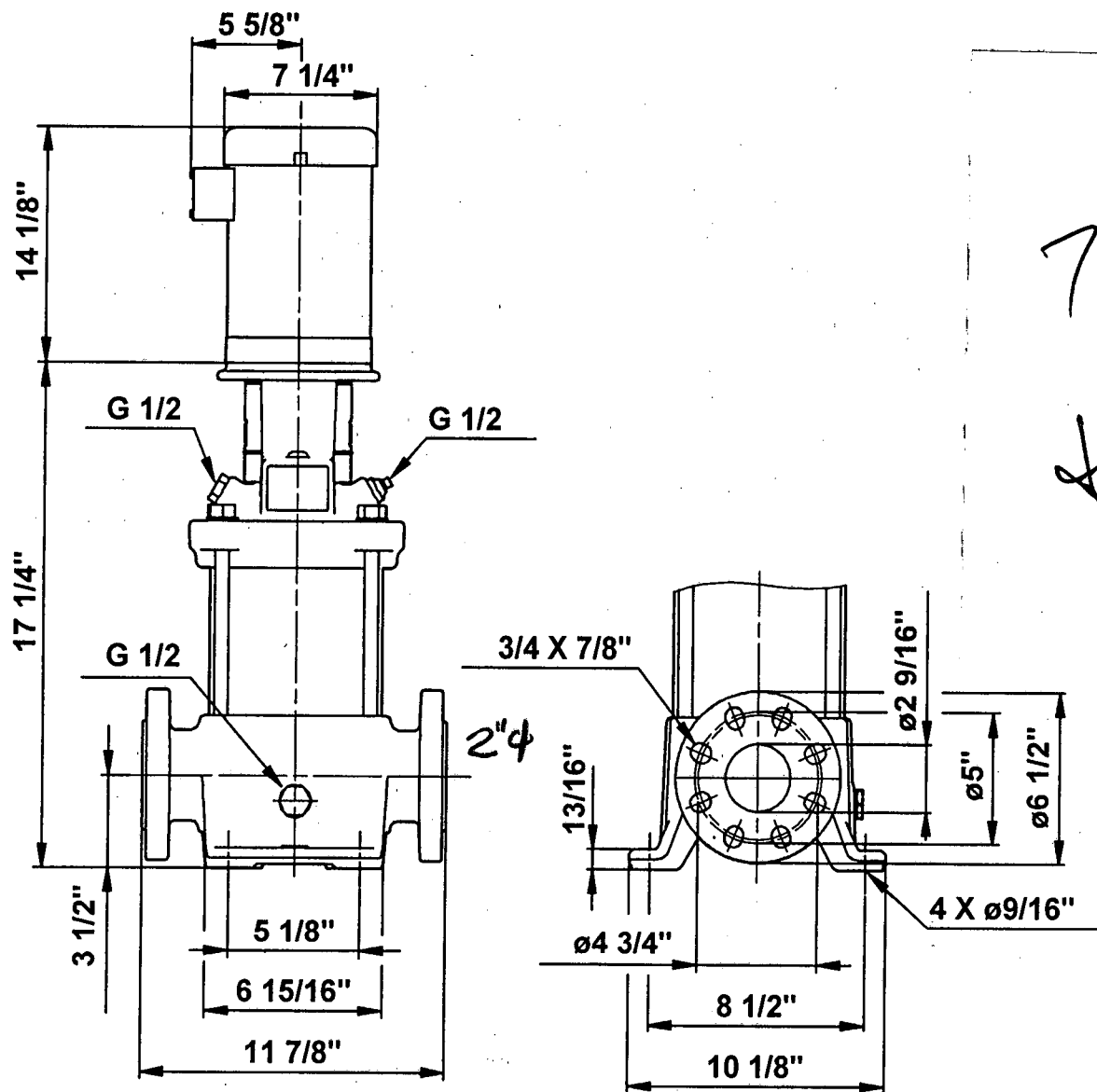
COND. FEED SET

GRUNDFOS



Company name: -
Created by: -
Phone: -
Fax: -
Date: -

96523387 CR 15-02



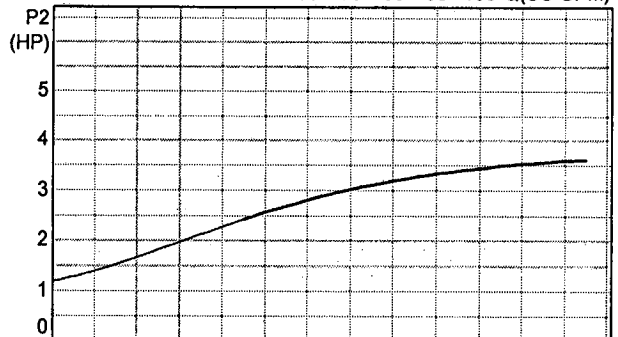
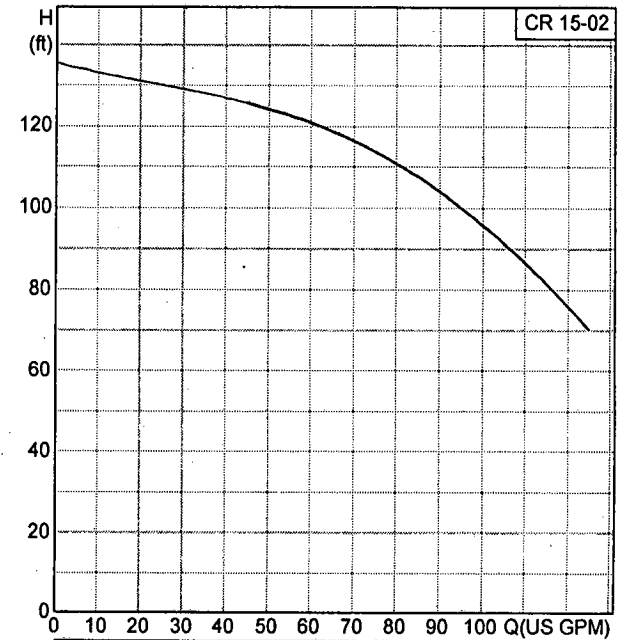
7
LOW

Note! All units are in [mm] unless others are stated.



Company name: -
 Created by: -
 Phone: -
 Fax: -
 Date: -

Description	Value
Product Number	96523387
Product name	CR 15-02
EAN number	5700396903880
Pump version	A
Connect code	GJ
Material code	A
Code for rubber	E
Shaft seal	HQQE
Cooling	ODP
Flange standard	ANSI
Impeller	304 AISI
Impeller	Stainless steel
Impeller	1.4301 DIN W.-Nr.
Impellers	02
Insulation	F
IP Class	IP23
Liquid max temp	248 °F
Liquid min temp	-4 °F
Model	A
Motor flange	184TC
Motor Number	84200013
Motor protection	NONE
Motor type	3540M
n	3461 rpm
p high-temp	175 / 250 psi/°F
p low-temp	175 / -4 psi/°F
P2	5 HP
Phase	3
Pipe connection	2"
Poles	2
Pressure stage	Class 250
Pump housing	A48-30 B ASTM
Pump housing	Cast iron
Pump housing	EN-JL1030 DIN W.-Nr.
Rated flow	90.26 US GPM
Rated head	104 ft
Shipping volume	4.94 ft³
Stages	02
t max amb	104 °F
f	60 Hz
n	3450 rpm
P2	5 HP
Rated current	13-12 / 6 A
Service factor	1,15

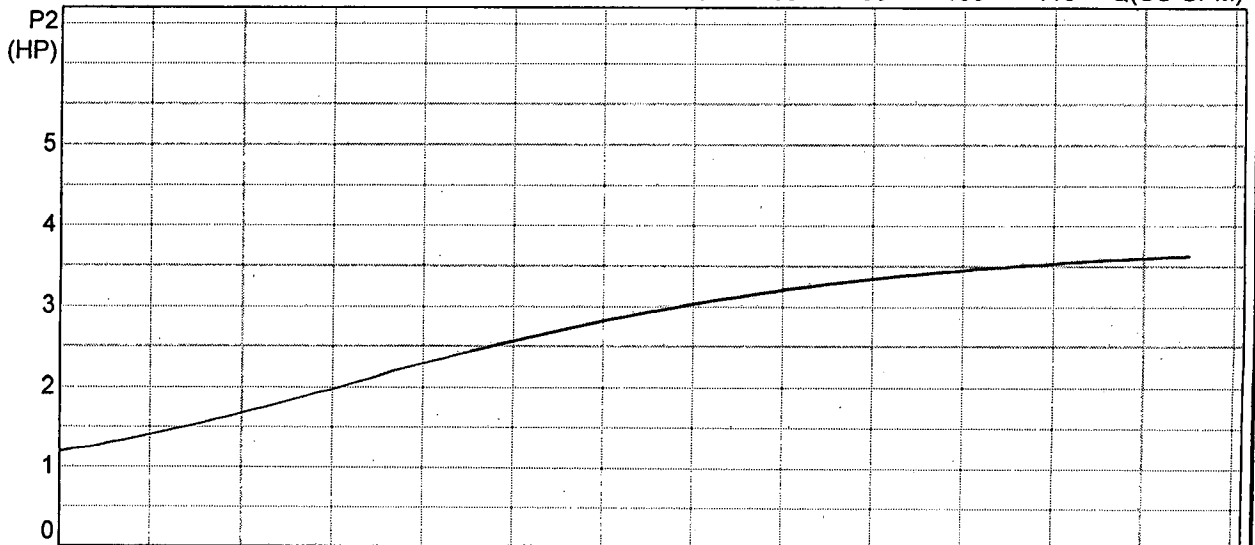
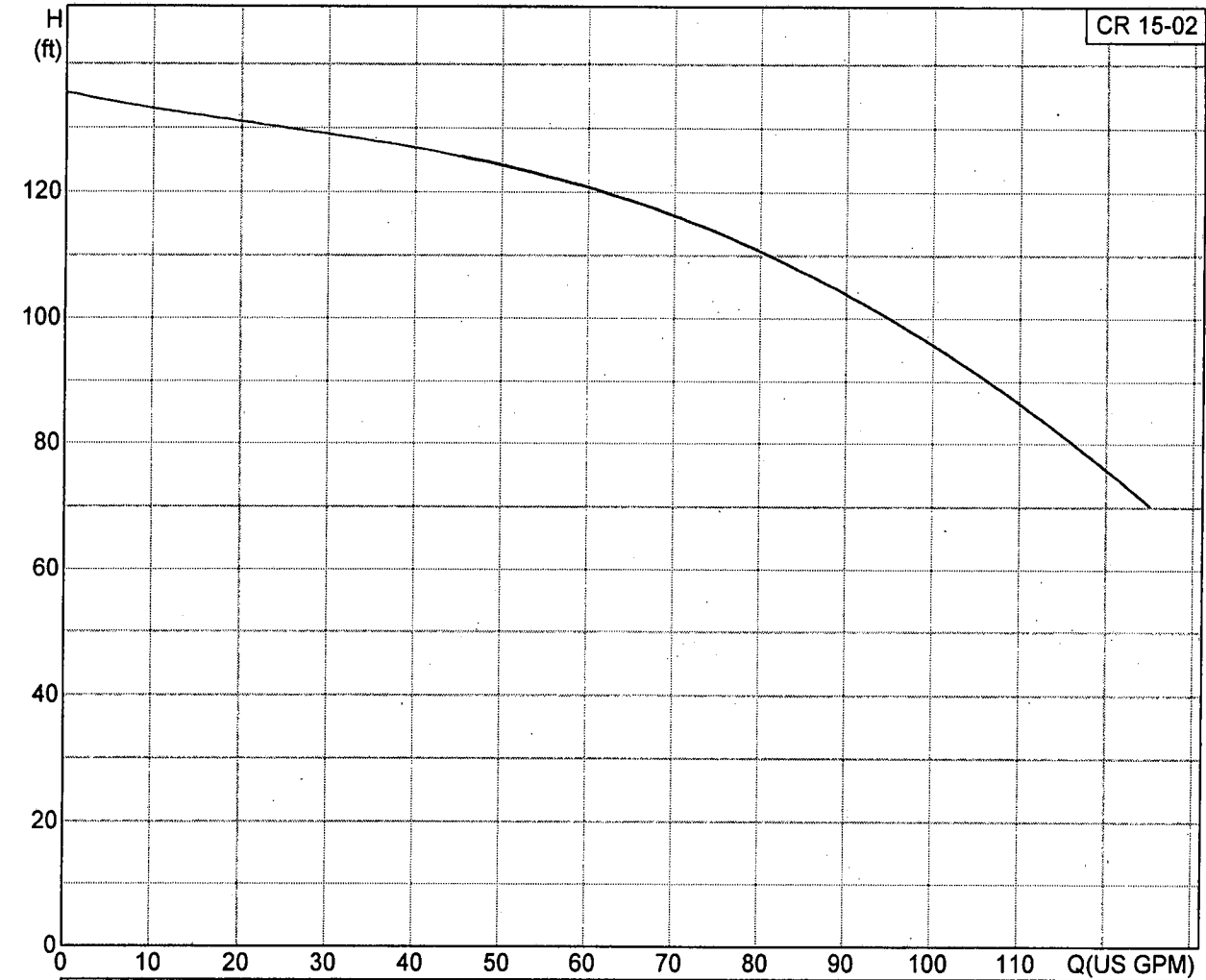


GRUNDFOS®



Company name: -
Created by: -
Phone: -
Fax: -
Date: -

96523387 CR 15-02

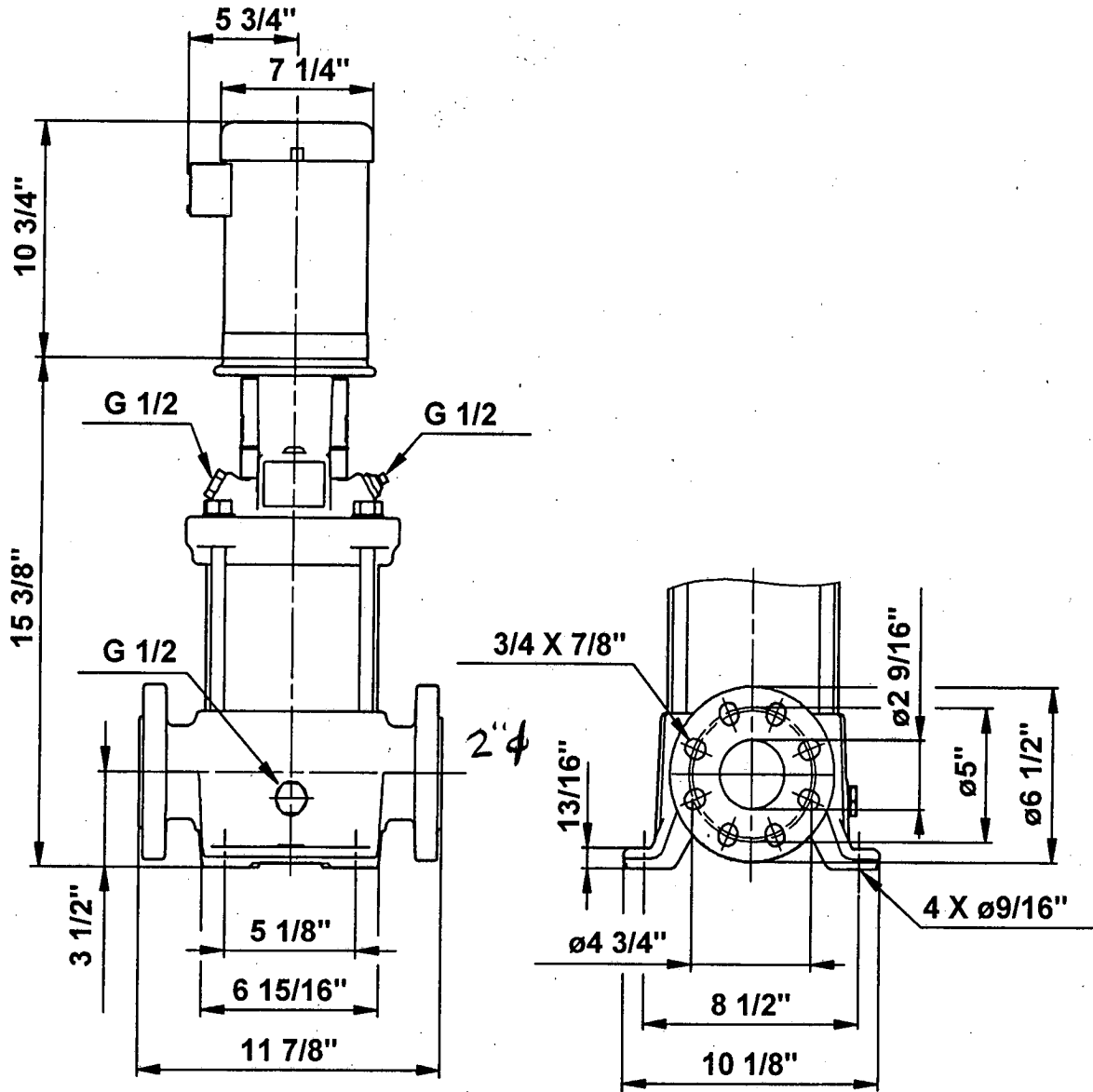


GRUNDFOS



Company name: -
Created by: -
Phone: -
Fax: -
Date: -

96522986 CR 10-02



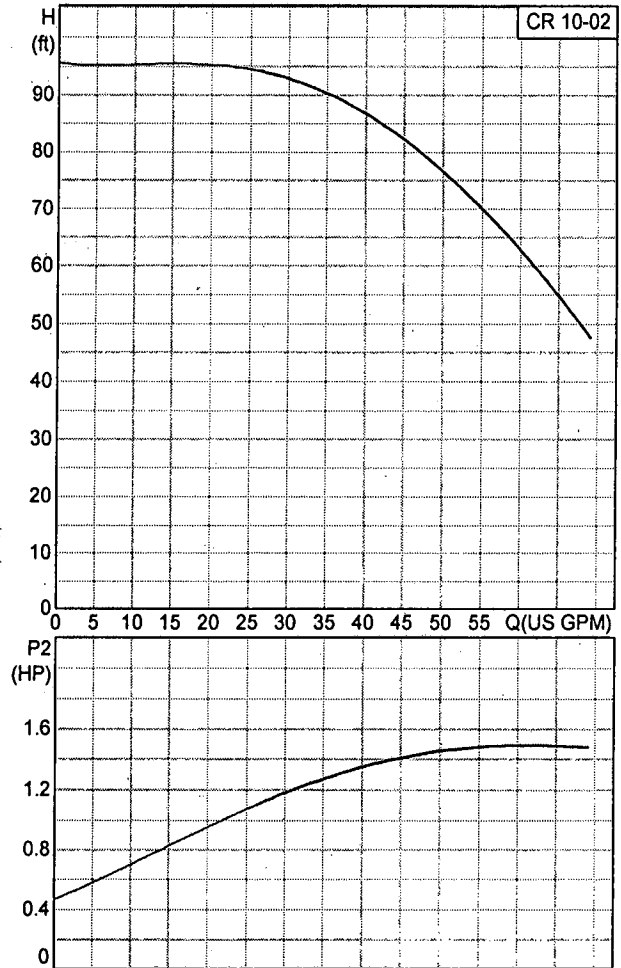
KILN BOILER ROOM

Notel All units are in [mm] unless others are stated.



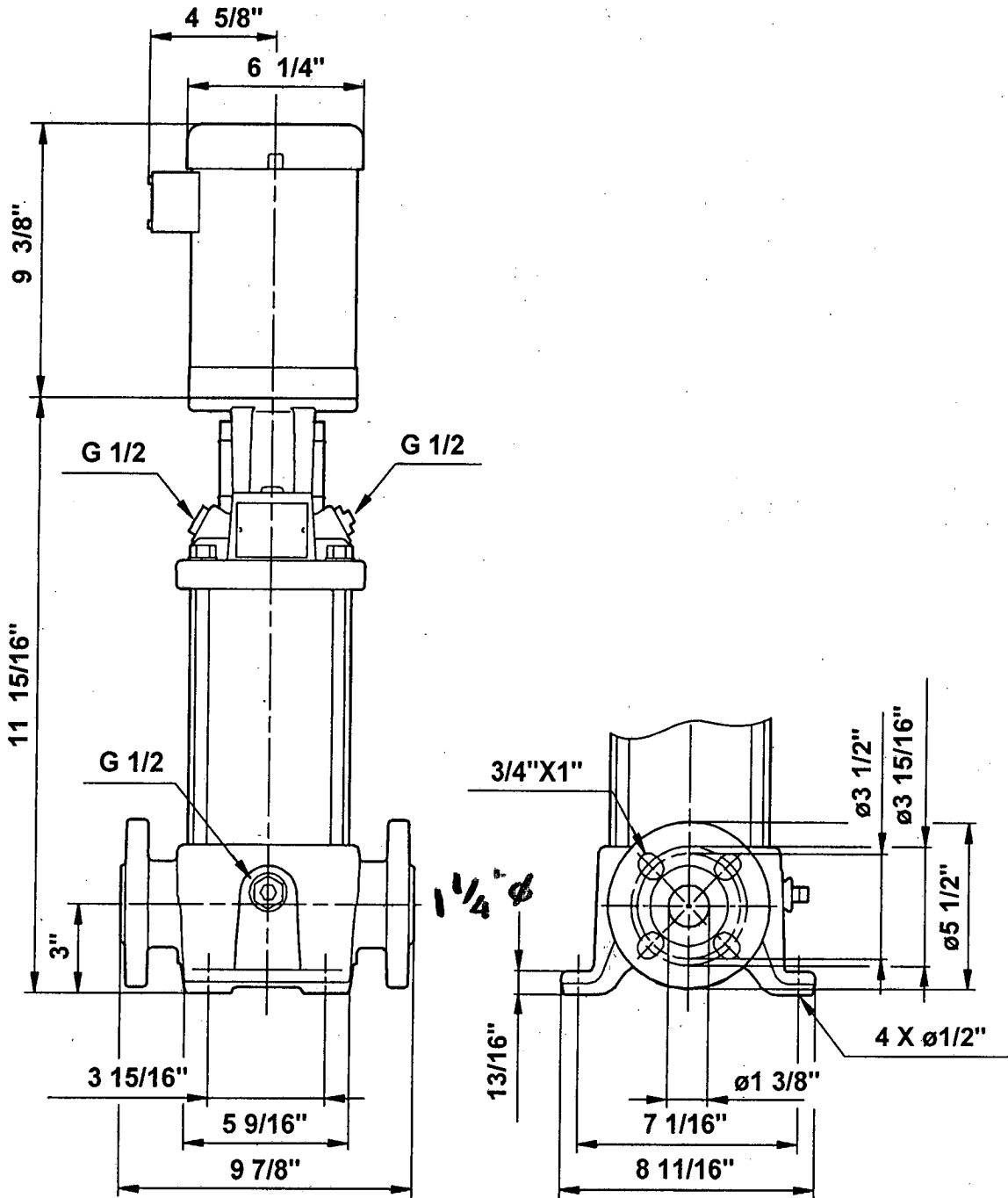
Company name: -
 Created by: -
 Phone: -
 Fax: -
 Date: -

Description	Value
Product Number	96522986
Product name	CR 10-02
EAN number	5700396898025
Pump version	A
Connect code	GJ
Material code	A
Code for rubber	E
Shaft seal	HQQE
Cooling	TEFC
Flange standard	ANSI
Impeller	304 AISI
Impeller	Stainless steel
Impeller	1.4301 DIN W.-Nr.
Impellers	02
Insulation	F
Liquid max temp	248 °F
Liquid min temp	-4 °F
Model	A
Motor flange	56C
Motor Number	84Z04008
Motor protection	NONE
Motor type	3516M
n	3466 rpm
p high-temp	175 / 250 psi°F
p low-temp	175 / -4 psi°F
P2	1.5 HP
Phase	3
Pipe connection	2"
Poles	2
Pressure stage	Class 250
Pump housing	A48-30 B ASTM
Pump housing	Cast iron
Pump housing	EN-JL1030 DIN W.-Nr.
Rated flow	53.28 US GPM
Rated head	72.5 ft
Shipping volume	3.18 ft³
Stages	02
t max amb	104 °F
f	60 Hz
n	3450 rpm
P2	1.5 HP
Rated current	5,00-4,60 / 2.3 A
Service factor	1,15



KILN BOILER ROOM

96083202 CR 3-3



Note! All units are in [mm] unless others are stated.

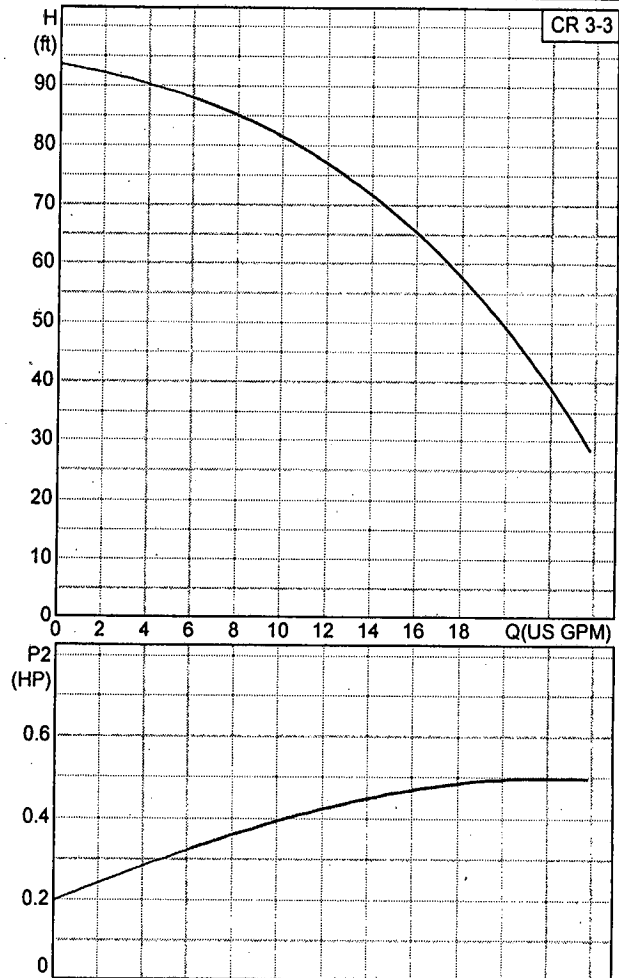
PREDRYER BOILER ROOM

GRUNDFOS®



Company name: -
 Created by: -
 Phone: -
 Fax: -
 Date: -

Description	Value
Product Number	96083202
Product name	CR 3-3
EAN number	5700395183702
Pump version	U
Connect code	FGJ
Material code	A
Code for rubber	E
Shaft seal	HQQE
Cooling	TEFC
Flange standard	ANSI
Gross weight	61.3 lb
Impeller	304 AISI
Impeller	Stainless steel
Impeller	1.4301 DIN W.-Nr.
Impellers	3
Insulation	F
Liquid max temp	248 °F
Liquid min temp	-4 °F
Model	A
Motor flange	56C
Motor Number	85600002
Motor protection	NONE
Motor type	56C
n	3450 rpm
Net weight	55.8 lb
p high-temp	363 / 250 psi°F
P2	0.5 HP
Phase	3
Pipe connection	1 1/4"
Poles	2
Pressure stage	Class 300
Pump housing	25 B ASTM
Pump housing	Cast iron
Pump housing	EN-JL1030 DIN W.-Nr.
Rated flow	15.85 US GPM
Rated head	65 ft
Shipping volume	1.77 ft³
Stages	3
t max amb	104 °F
f	60 Hz
n	3450 rpm
P2	0.5 HP
P2	0.5 HP
Rated current	2,10-2,00 / 1 A
Service factor	1,25



PREDRYER BOILER ROOM